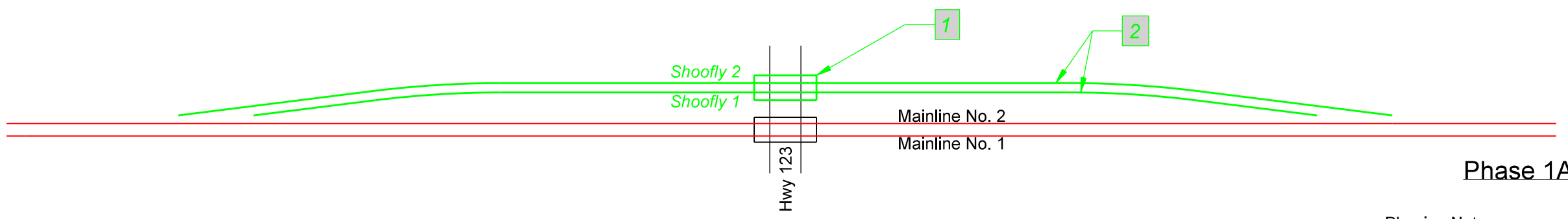
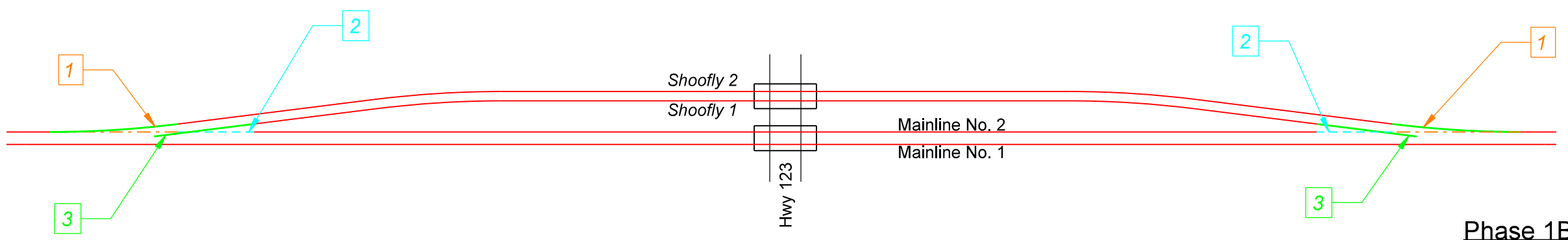


Color: tables \\upccor6.ad.uprr.com\engcad\iperm\CAD\Config\Bentley\workspace\Standards\data\UPRR.tbl  
 \\omirg5573\perrm\CAD\Config\Bentley\workspace\Standards\data\UPRR.tbl  
 U:\document\trion\References\Shoofly\_Schematic.dgn  
 Default  
 4/17/2017



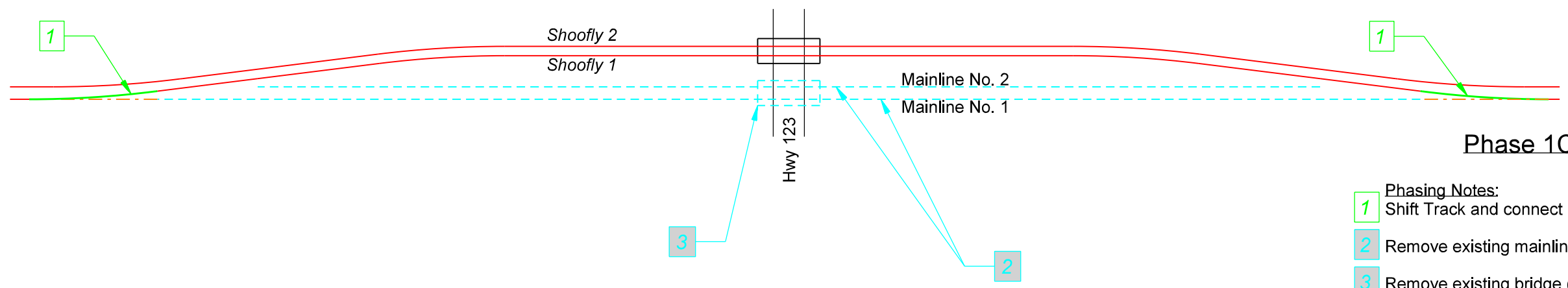
**Phase 1A**

- Phasing Notes:**
- 1 Construct shoofly bridge (By Contractor)
  - 2 Construct Shoofly tracks to 13' clear point of existing Mainline 2 (By Contractor)



**Phase 1B**

- Phasing Notes:**
- 1 Shift track and connect Mainline 2 to Shoofly 2 (By UPRR)
  - 2 Remove Mainline 2 to 13' clear point of Shoofly 1 (By UPRR)
  - 3 Construct Shoofly 1 to 13' clear point of Mainline 1 (By UPRR)

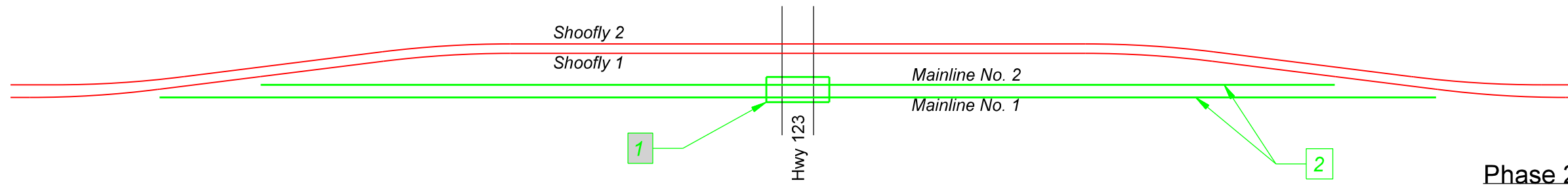


**Phase 1C**

- Phasing Notes:**
- 1 Shift Track and connect Mainline 1 to Shoofly 1 (By UPRR)
  - 2 Remove existing mainline tracks (By Contractor)
  - 3 Remove existing bridge (By Contractor)

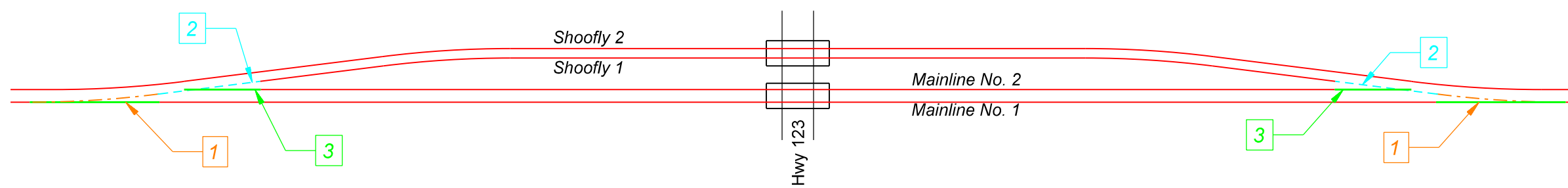


		DRAWN BY: CAN	<b>UNION PACIFIC RAILROAD</b> LOCATION & DESCRIPTION: Omaha, NE Omaha Subdivision, MP 999 Highway 123 Bridge Replacement
		CHECKED BY: CAN	
		DATE: 04/17/2017	SHEET TITLE: Phasing Plan - Phase 1
		SHEET NUMBER: 001 of 002	



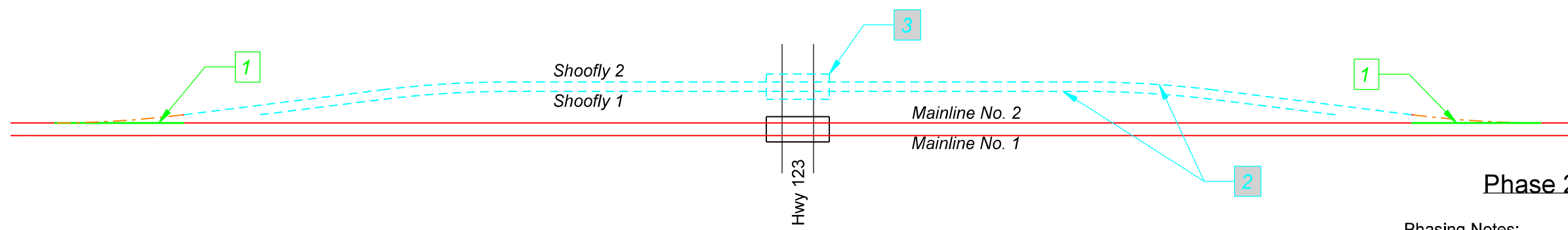
**Phase 2A**

- Phasing Notes:**
- 1** Construct new bridge (By Contractor)
  - 2** Construct Mainline tracks to 13' clear point of existing Shoofly 1 (By UPRR)



**Phase 2B**

- Phasing Notes:**
- 1** Shift track to Mainline 1 and reconnect to existing Mainline 1 (By UPRR)
  - 2** Remove Shoofly 1 to 13' clear point of Mainline 2 (By UPRR)
  - 3** Construct Mainline 2 to 13' clear point of Shoofly 2 (By UPRR)



**Phase 2C**

- Phasing Notes:**
- 1** Shift track to Mainline 2 and reconnect to existing Mainline 2 (By UPRR)
  - 2** Remove Shoofly tracks (By Contractor)
  - 3** Remove Shoofly bridge (By Contractor)



		DRAWN BY: CAN	<b>UNION PACIFIC RAILROAD</b> LOCATION & DESCRIPTION: Omaha, NE Omaha Subdivision, MP 999 Highway 123 Bridge Replacement
		CHECKED BY: CAN	
		DATE: 04/17/2017	SHEET TITLE: Phasing Plan - Phase 2
		SHEET NUMBER: 002 of 002	

C:\or...tables\uprcorrad\uprr.com\engcad\iper.m\CAD\_Conf.rg\Bentley\Workspace\Standards\data\UPRR.tbl  
 \omr\5573\parr\CAD\_Conf.rg\Bentley\Workspace\Standards\Pen\UPRR\_V81\_Pen.tbl  
 U:\document\trion\References\Shoofly\_Schematic.dgn  
 Defaul  
 4/17/2017